

### Specification

Length folded	650mm (25 7/12")
Max. operating height	1,550mm (61")
Max. center column ext.	280mm (11")
Weight	2.52kg (5 lbs 9 oz)

### Operating Instructions

Congratulations on the purchase of a SLIK PRO 400DX Tripod. The SLIK Corporation has designed your tripod to be a sturdy, rugged, dependable product that will provide you with many years of satisfactory use.

Please take a few moments to read this instruction sheet carefully so you can take full advantage of your Tripod's many fine features. Retain this instruction sheet in case you might want to refer back to it.

#### ⚠ Caution

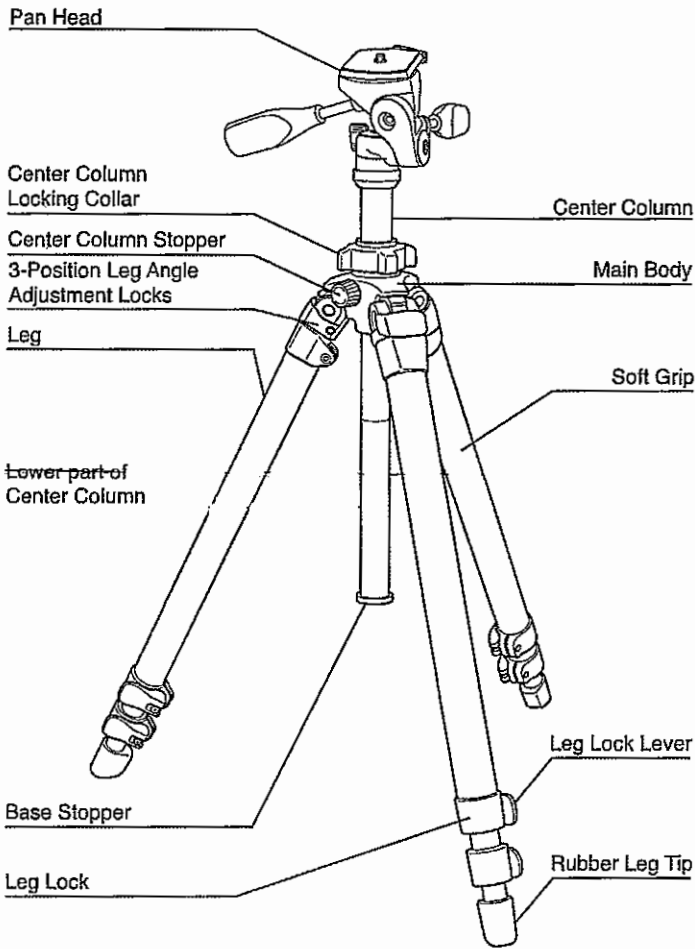
This caution icon refers to information pertaining to important safety procedures in preventing injuries, and damages which may occur as a result of mishandling this product.

#### ⊘ Prohibited

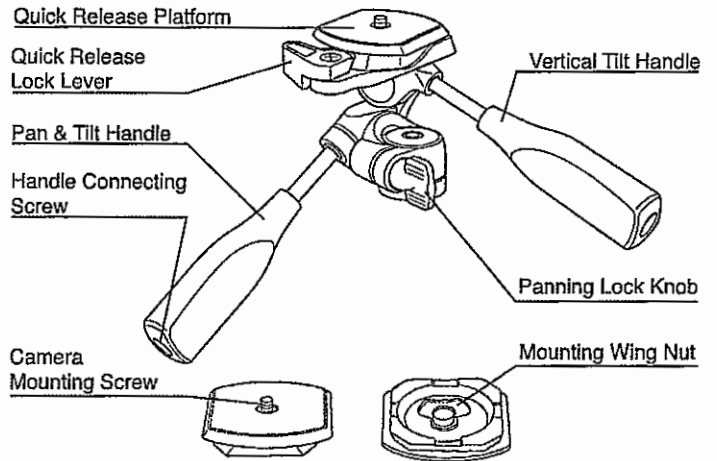
This prohibited icon refers to information pertaining to prohibited contents. Please refer to instructions closely to avoid accidents.

D392E-1

### Components



### Pan Head



### Options

#### THREAD ADAPTER SET



On this tripod, please buy Thread Adapter Set when the Pan Head that there are large screw (U3/8) tripod installation screws is attached.

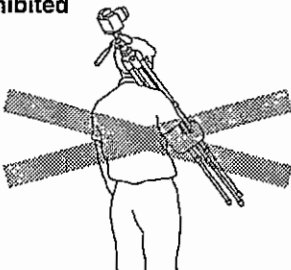
### Equipment that can be used with this Tripod

#### ⊘ Prohibited

This product has been designed to handle equipment weighing under 5 kgs (11 lbs). Do not overload. Some equipment weighing under 5 kgs (11 lbs), such as long lenses, may not balance well due to its weight distribution. In such case, please use a larger tripod.

### Carrying the Tripod

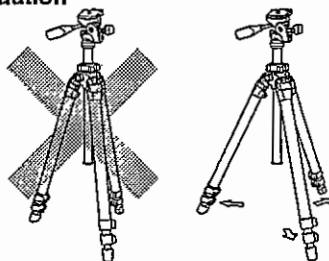
#### ⊘ Prohibited



Carrying a tripod with a camera left on can result in unexpected accidents. We therefore, recommend you to remove your camera while carrying the tripod.

### Setting up

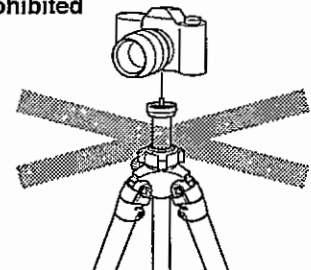
#### ⚠ Caution



Prevent accidental equipment fall, or tripod tipping over, by making sure all levers, knobs, and handles on the tripod are securely tightened, and that all three legs are opened all the way.

### Pan Head mounting post

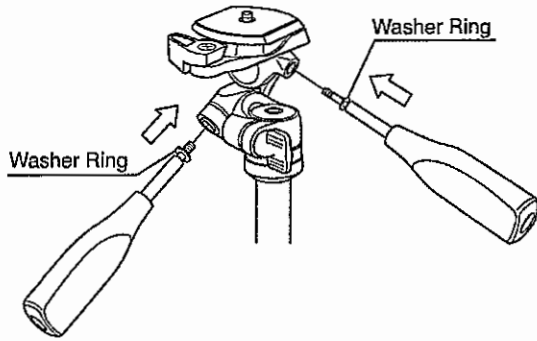
#### ⊘ Prohibited



Do not attach camera directly to the threaded post of the Center Column. This may damage both camera and tripod.

---

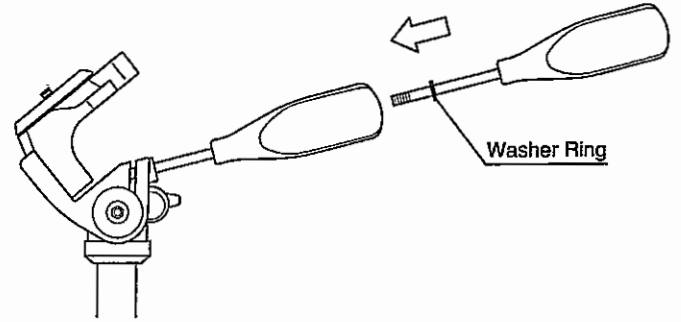
## Install the Handles



Attach the two Pan Handles to the Pan Head, by inserting the shorter handle to the left, and the longer handle to the right. Do not reverse.

---

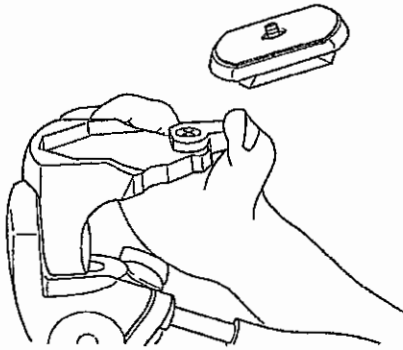
## Storage



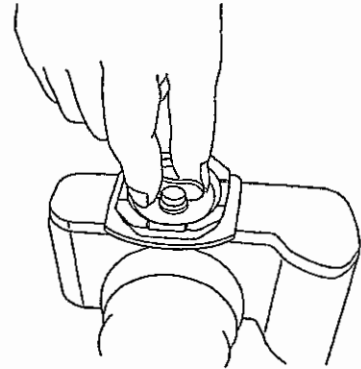
Remove the Vertical Tilt Handle from the Pan Head, and screw into the back of the Pan & Tilt Handle. Make sure the washer ring on the thread stays on with the handle.

---

## Attaching the camera to the Quick Release Platform



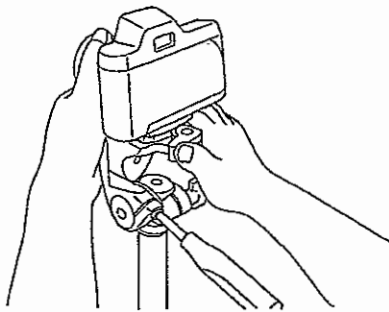
To remove the Quick Release Platform from the Pan Head, turn Quick Release Lock Lever and lift out Platform from its back.



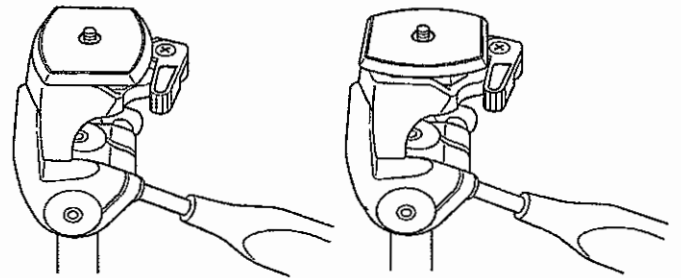
Align the length of the Platform along the base of the camera body, and securely tighten the Mounting Wing Nut.

---

## ⚠ Caution



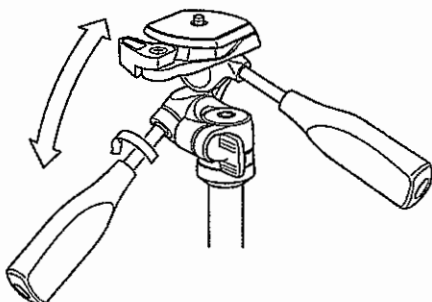
When attaching the camera to the Pan Head, check to make sure that the Quick Release Platform is engaged in the catch of the Pan Head before locking the lever.



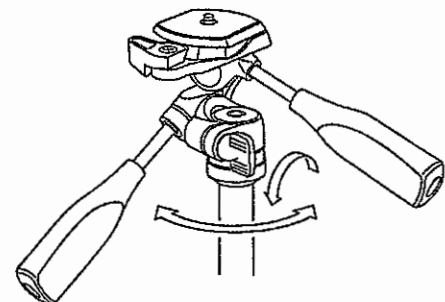
The Quick Release Platform can be attached to the camera body in either directions (along the length, or along the width). This feature facilitates your camera set up into the vertical position, simply by the turn of one of the tilt handles.

---

## Using the Pan Head

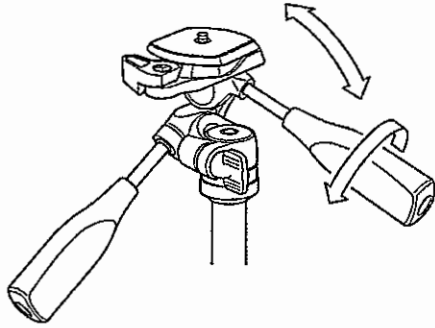


Loosen the Pan & Tilt Handle, and the head will tilt back and forth.



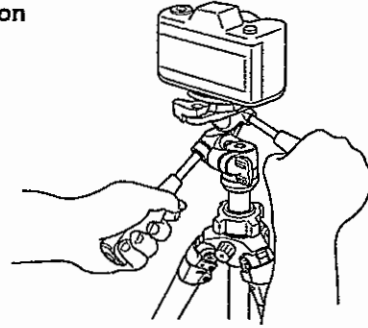
Loosen the Panning Lock Knob, and the head will rotate along the horizontal direction.

## Using the Pan Head (Continued)



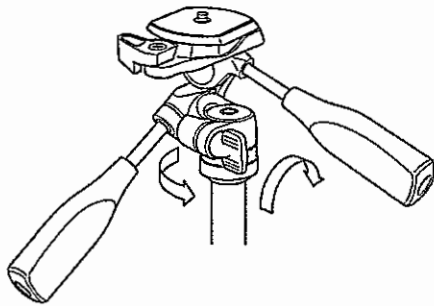
Loosen the Vertical Tilt Handle, and the level can be adjusted.

### ⚠ Caution



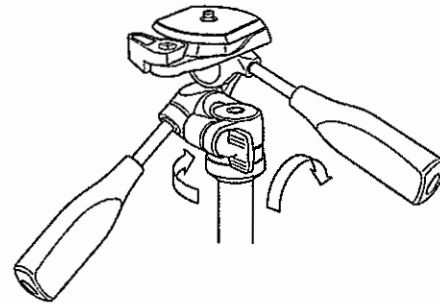
When loosening either the Pan & Tilt Handle, or the Vertical Tilt Handle, take precaution by keeping a firm grip on the handle until the Pan Head is locked down.

## Removing the Head from the Center Column



Use the following instructions if you wish to change heads, or attach accessories.

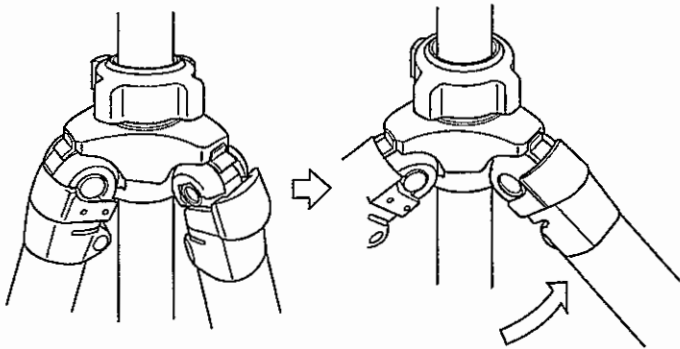
First, lock the Panning Lock Knob, then grasp the Pan, or Vertical Tilt Handle and turn the head, counter-clockwise to loosen.



Set the new head, or accessory on the tripod's threaded post, and turn clockwise until it comes to a stop.

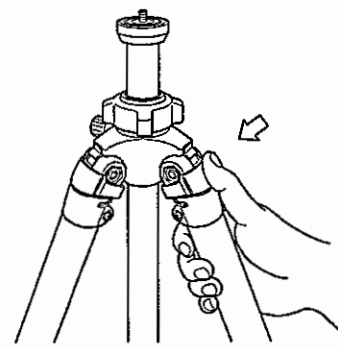
Tighten the Panning Lock Knob and turn clockwise slightly more.

## Three Position Adjustable Legs



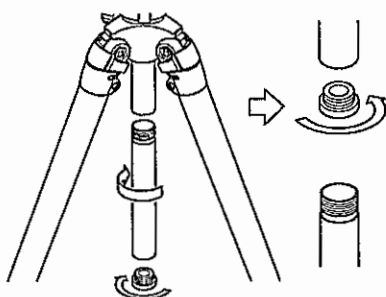
To change the angle of each leg, close the Leg slightly, and then pull the Leg Angle Adjustment Lock out.

There is a choice of two other angle positions.



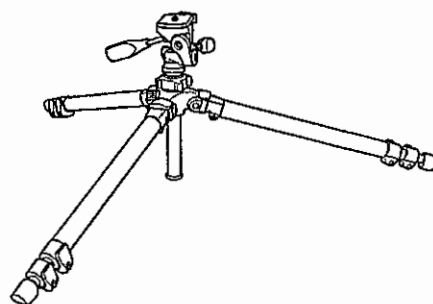
After choosing the desired leg angle, securely push in the Adjustment Lock.

## How to get low level shots



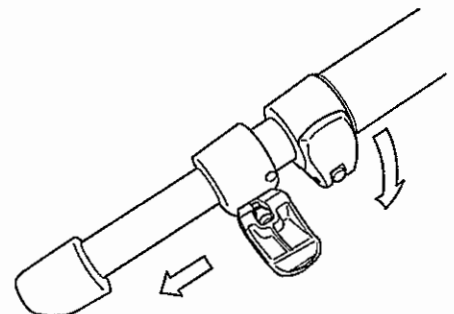
Remove the center column Base Stopper and then, remove the lower part of the center column.

Put the center column Base Stopper on the upper part of the center column.



Then, you can get lower height.

## Extending/Folding of Tripod Legs

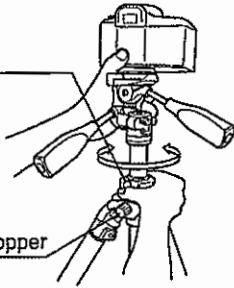


Open the Leg Lock Lever for extending/folding of tripod legs.

Lock the lever tightly at your required position.

## Using the Center Column

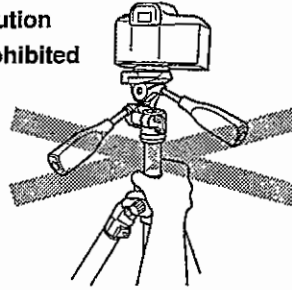
Center Column Locking Collar



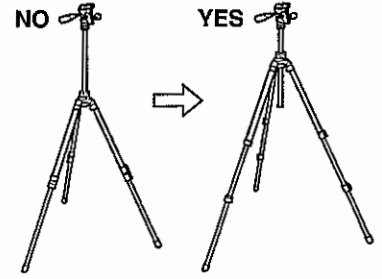
Center Column Stopper

Hold onto the Pan Head with one hand, and loosen the Center Column Locking Collar with the other hand. Raise or lower Pan Head to desired height, and while maintaining a hold of the Pan Head, tighten the Locking Collar.

**Caution**  
**Prohibited**



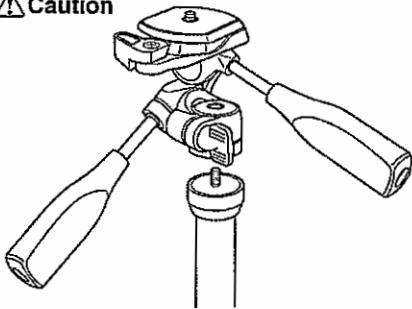
You may injure your hand by a sudden fall, if you let go of the Pan Head before locking the Collar. Turn the Locking Collar with your fingers on the side of the Collar.



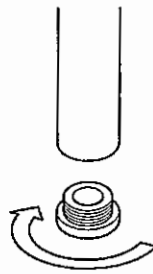
To avoid unnecessary camera vibrations, try to keep the Center Column height to a minimum. Also use the larger legs first, when extending the legs.

## Inverting the Center Column

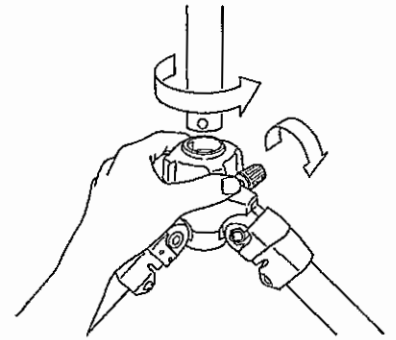
**Caution**



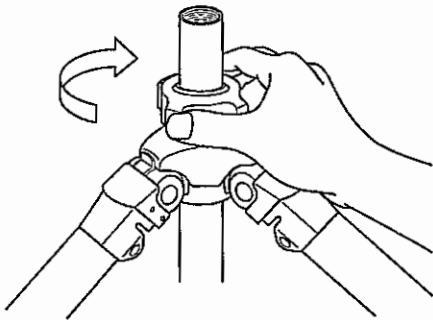
Remove the Pan Head when inverting &/or replacing the Center Column.



Remove the center column Base Stopper turning to the way of arrow.

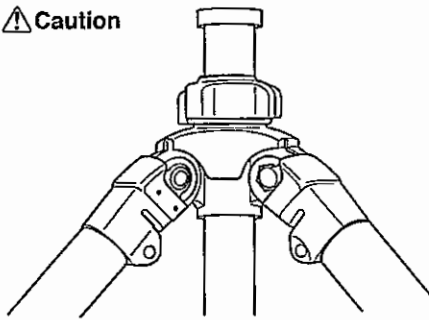


Loosen the Center Column Stopper and the Locking Collar, and then pull out the Center Column.

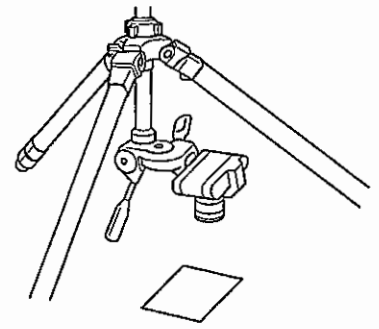


Insert the Center Column from the lower side of Main Body, and tighten the Locking Collar and the Center Column Stopper.

**Caution**



Make sure to re-attach the Base Stopper, in order to prevent the Center Column from falling out.



By inverting the Center Column, it is possible to do copy, and close up work.

## Care of the Tripod

- DO NOT apply any grease or oil to this product.
- Clean with a mild detergent and a soft cloth only.
- DO NOT use close to flame. Avoid extreme heat.



Slik corporation reserves the right to make changes in design and/or improvements on the products without any obligation and advanced notice.